



TiCad®

TiCad  
**LIBERTY PRO**

(EN) User manual (Translation of the original  
user manual)



These operating instructions are valid for the following products:

- TiCad Liberty Pro electric trolley from year of manufacture 2026

The instructions for all accessories used are included in the applicable documents.

## TABLE OF CONTENTS

SAFETY INSTRUCTIONS.....	2
YOUR TiCad LIBERTY PRO IN DETAIL .....	3
SCOPE OF DELIVERY .....	4
STORAGE AND TRANSPORT .....	4
BATTERY - TREATMENT, CARE, STORAGE, TRANSPORTATION .....	5
ASSEMBLY OF THE TiCad LIBERTY PRO .....	9
DISASSEMBLY.....	15
FOLDING GOLF TROLLEY.....	16
ASSEMBLY / DISASSEMBLY OF ACCESSORIES.....	16
OPERATION .....	17
CLEANING, CARE AND MAINTENANCE .....	29
TROUBLESHOOTING .....	30
DISPOSAL.....	31
TECHNICAL DATA.....	32
STATUTORY WARRANTY AND MANUFACTURER'S GUARANTEE.....	33
SERVICE .....	35
IMPRINT .....	36

## Intended use

Golf trolleys and accessories are intended exclusively for:

- Transportation of a golf bag including contents
- Maintenance of this promotion

The target group for the use of the golf trolley and accessories are adults, adults with physical or motor disabilities and children aged 12 and over.

The use as:

- Means of transportation for people or animals or for other applications
- Medical walking aid
- Toys for children

Do not pull the golf trolley out of a motorized golf cart by hand.

Maximum load: 18 kg.

## Disclaimer

Neither the manufacturer, importer nor retailer has any influence or control over the correct assembly, maintenance and handling of the golf trolley.

For this reason, the aforementioned persons, companies or organizations disclaim any liability that may arise from the operation or mere handling of the golf trolley.

Neither the manufacturer, importer nor retailer can be held liable for any damage to people, animals or property resulting from the operation or handling of the golf trolley or parts thereof.

The exclusion of liability applies both to direct damage and to any damage to third parties.

If you do not agree with this disclaimer, please make use of your right of withdrawal and return the item in new, unused condition.

The manufacturer accepts no liability whatsoever for subsequent modifications made to the respective product that have not been expressly approved by the manufacturer and produced by a suitable service center.

TiCad is not liable for damage to golf trolleys and any consequential damage caused by collisions, falls and water damage when using the optional remote control. Do not steer your golf trolley into dangerous situations. Please note that wireless connections from smartphones can impair the functionality of your remote control. Other remote controls in the same frequency range can also cause interference.

## Means of representation

### **DANGER**

This warning indicates an imminently hazardous situation which, if not avoided, will result in death or (serious) injury.

---

### **WARNING**

This warning indicates a possible medium-risk hazard that could result in death or (serious) injury if not avoided.

---

### **CAUTION**

This warning indicates a low-risk hazard that could result in minor or moderate injury if not avoided.

---

### **NOTE**

This warning indicates a low-risk hazard that could result in material damage if not avoided.

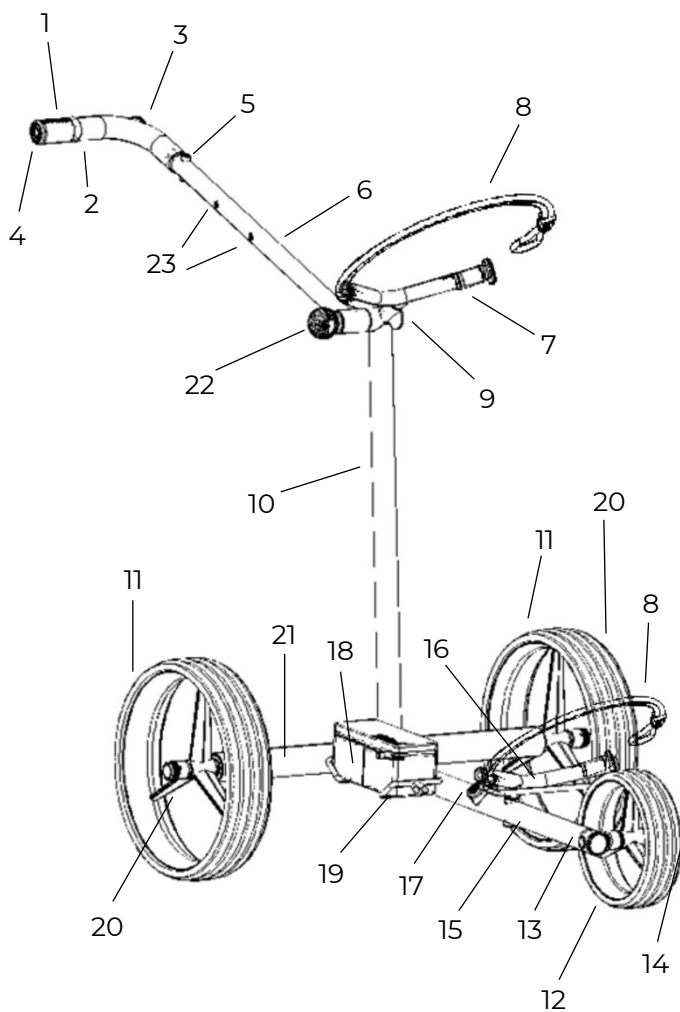
---

- ▶ Action instruction: Describes activities that must be carried out. The activities in action sequences must be carried out one after the other.

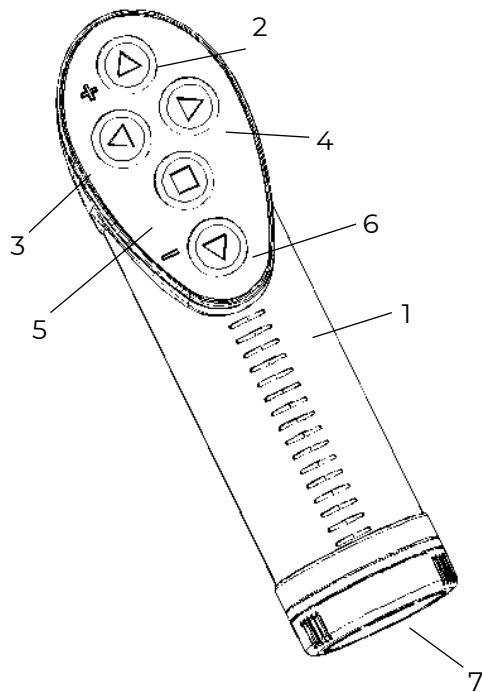
## SAFETY INSTRUCTIONS

- ▶ Read the operating instructions carefully before using the appliances and keep them in a safe place.
- ▶ Do not play golf during a thunderstorm as there is a risk of being struck by lightning.
- ▶ Do not allow children to play with packaging material (plastic bags). Risk of suffocation if plastic bags are put over the head.
- ▶ Before use, check that every component is in perfect condition in terms of general operational safety.
- ▶ Do not use the products if they are damaged.
- ▶ Observe special dangers when handling lithium-ion batteries in the chapter "BATTERY - TREATMENT, CARE, STORAGE, TRANSPORT".

## YOUR TiCad LIBERTY PRO IN DETAIL



- 1 Twist grip control
- 2 Leather handle
- 3 Single push-button
- 4 Brake button
- 5 Adapter for umbrella holder
- 6 Drawbar
- 7 Upper pocket support with bag tie
- 8 Bag tie
- 9 LED illuminated ring
- 10 Center tube
- 11 Drive wheel
- 12 Front wheel
- 13 Front axle
- 14 Knurled sleeve
- 15 Down tube
- 16 Lower pocket support with bag tie
- 17 Connection for battery
- 18 Battery
- 19 Battery basket
- 20 Sliding sleeve
- 21 Motor tube
- 22 Drawbar ball
- 23 M5 fastening nuts for accessories



- 1 Fernbedienung
- 2 Vorwärts-Taste
- 3 Links-Taste
- 4 Rechts-Taste
- 5 Stop-Taste
- 6 Rückwärts-Taste
- 7 Verschlussdeckel / Ladebuchse Mini-USB-C

## SCOPE OF DELIVERY

- |                                     |                       |
|-------------------------------------|-----------------------|
| 1 Drive wheels                      | 7 Charger for battery |
| 2 Front wheel                       | 8 Charger for battery |
| 3 Transport bag                     | 9 Battery Checker     |
| 4 Upper pocket support with bag tie | 10 Axle guard         |
| 5 Lower pocket support with bag tie | 11 Remote control     |
| 6 Frame with rechargeable battery   |                       |

After unpacking, check that all parts are complete and undamaged.

## STORAGE AND TRANSPORT

- ▶ Store the golf trolley in a dry and appropriate environment.
- ▶ Use the corresponding transport bag for transportation.
- ▶ Fit the axle guard on both axles.
- ▶ Do not drop the golf trolley onto the drive shafts. Irreparable damage to the drives is possible.
- ▶ Do not leave the battery connected to the golf trolley during storage and transportation. Always disconnect the plug.
- ▶ Observe the following instructions and regulations on battery storage and transportation.

## BATTERY - TREATMENT, CARE, STORAGE, TRANSPORTATION

### WARNING

#### **Risk of injury from fire, explosion and chemical burns.**

Lithium-ion batteries are considered hazardous goods. Improper use can lead to an increased risk of fire, explosion and chemical burns.

- ▶ Check the battery for damage before charging.
- ▶ Only charge undamaged batteries.
- ▶ Do not touch damaged batteries with your skin, wear suitable protective gloves.
- ▶ Do not inhale escaping gases.
- ▶ Dispose of damaged batteries properly.
- ▶ Avoid deep discharge.
- ▶ Avoid mechanical stress and manipulation of the battery.
- ▶ Ensure good packaging and careful stowage.
- ▶ Only charge with the TiCad charger supplied.
- ▶ Never leave the battery unattended while charging.
- ▶ Only operate the charger in a dry environment and not outdoors.
- ▶ Do not cover the battery and charger during charging.
- ▶ Never expose the battery to temperatures above 45 °C or to direct sunlight.
- ▶ Do not place the battery on heat sources (e.g. heating).
- ▶ Do not throw the battery into a fire. Do not immerse the battery in water.

The TiCad battery is protected against incorrect handling (e.g. short circuit, overload, overcharging, deep discharge) by a sophisticated electronic protection system.

- ▶ Always follow the instructions for use and care.
- ▶ Handle the battery with care.

Non-observance and misuse lead to an increased risk of fire and explosion.

Range of the standard battery is min. 27 holes (load approx. 18 kg).

Charging time of empty Li-ion battery approx. 6 to 8 hours.

- ▶ Do not leave the battery connected to the golf trolley during transportation and storage. Always disconnect the plug.
- ▶ Do not drop or crash the battery. Damage to the housing or internal parts (without external signs) is possible.
- ▶ Check the plug connector before plugging it in:
  - No water ingress
  - No soiling

- No bent plug pins / mechanical plug damage
- ▶ Avoid cable damage:
  - Do not wear on the cable
  - Do not crush, kink or pinch
  - Prevent chafing
  - Do not run over
- ▶ Avoid extreme heat, prolonged exposure to sunlight or prolonged heating by the environment.
- ▶ Avoid leaving the battery in a very hot vehicle.
- ▶ Protect the battery from frosty temperatures.
- ▶ Do not attempt to repair or otherwise misuse the device.

Damage to battery cells can also become noticeable weeks later.

## Charge battery

### NOTE

#### **Charge the battery.**

For safety reasons, the battery has a low charge level on delivery (approx. 20-30 %).

- ▶ Charge the battery for approx. 1-2 hours before storing.
- ▶ Fully charge the battery before first use.

Charging temperature between 5 °C and 35 °C.

- ▶ Do not charge the battery if it is very hot from play, sun or ambient temperature. Allow to cool down before charging.
- ▶ **Do not** store the battery empty **or** fully charged.

A cool environment and 40-50% charging capacity (often reached after just 1 to 2 hours of charging) are ideal.

- ▶ Disconnect all plug connections at the end of the charging process.

The charger and battery heat up during the charging process. This is not a malfunction.

- ▶ Allow the battery to cool down after charging.

## Charger use and application

- ▶ Connect the battery and charger to each other.
- ▶ Connect the charger to the external power supply.
- ▶ Monitor both devices during the charging process.
- ▶ Disconnect all plug connections at the end of the charging process.

- ▶ Observe the imprints on the charger and the operating instructions for the charger.

## Battery use and application

- ▶ Do not restart the golf trolley several times when the battery is empty.
- ▶ Leave the battery connected to the golf trolley during rain showers. The plug is better sealed this way.

### **WARNING**

#### **Pre-damaged batteries can cause fires.**

##### **Pre-damage due to water damage.**

- ▶ Rescue the golf trolley and battery from the water as quickly as possible.
- ▶ Disconnect the plug from the golf trolley.
- ▶ Remove the battery from the golf trolley.

##### **Storage / transportation**

- ▶ Do not store a damaged battery in a car or in a closed room. Store the battery outdoors, protected from rain and without flammable substances in the vicinity.
- ▶ If possible, do not transport a damaged battery. If absolutely necessary, then only under personal supervision with the possibility of taking the battery outside within seconds.
- ▶ Do not attempt to open or repair the battery yourself. This may only be carried out by trained specialist personnel. In addition to invalidating the warranty, there is a risk of putting the battery in an unsafe operating state.
- ▶ Contact TiCad Service.

### **Preventing water damage**

- ▶ Do not clean with a high-pressure cleaner or water jet.
- ▶ Do not allow water to enter the plug.
- ▶ Do not drive the golf trolley into water hazards.

### **Prevent fall damage**

- ▶ Do not drop or crash the battery.
- ▶ To transport the golf trolley and the battery in the transport bag, mount the battery in the battery basket and secure it with the battery ring.

## Battery cleaning and care

- ▶ Check the battery and cable regularly for damage such as housing damage, breaks, cable damage, pinch points, severe kinks, chafing, plug damage and signs of heavy wear.
- ▶ Wipe the battery with a dry or slightly damp cloth after each use.
- ▶ For stubborn stains, add a mild cleaning agent (washing-up liquid, soap cleaner) to the water to moisten the cloth.
- ▶ Do not use aggressive or alcohol-based cleaning agents or abrasive cleaners.
- ▶ Incorrect cleaning agents can cause damage or color changes to the product.

## Battery storage and maintenance

- ▶ Store the battery in a dry room and away from flammable materials. If possible, the room in which the battery is charged should have a smoke detector. Observe the climatic conditions for storage.
- ▶ Ask in hotels, golf clubs, etc. for a suitable storage location for the battery.
- ▶ Store the battery in a suitable protective box or in a special battery protection cabinet.
- ▶ Ideally, create a way to quickly remove the battery to the outside in the event of damage.
- ▶ Check the charge status regularly (with Battery Checker) during longer periods of storage. Recharge the battery if necessary.

Standard value (45-50 % charge level, 15 to 20 °C): Storage time approx. 6 months.

TiCad prohibits any mechanical or electrical / electronic modifications to the battery. This will result in the immediate loss of warranty, guarantee and goodwill services for the battery and the devices powered by the battery.

## Battery transportation

- ▶ Do not allow the battery to get wet during transportation.
- ▶ Familiarize yourself with the current legal transport requirements regarding the means of transport you have chosen.

Very special restrictions generally apply to air and sea transportation.

- ▶ Only transport or ship batteries in suitable containers or packaging. If you wish to return a battery to TiCad, please contact TiCad Service in advance to ensure a smooth process.

Deformed (including inflated) or damaged or potentially damaged batteries may not be transported or may only be transported with special conditions and precautions.

## Battery guide

For more information on batteries and chargers and how to look after them, please refer to the TiCad battery guide on the TiCad website [www.ticad.de](http://www.ticad.de).

You can find the current version on our website.

## Charge the remote control battery

### NOTE

#### **Charging the battery.**

For safety reasons, the battery is delivered with a low charge level (approx. 20–30%).

- ▶ Fully charge the remote control before first use and before each game.

- 
- ▶ Open the cover of the remote control.
  - ▶ Connect the remote control to the charger using a USB-C cable (not included).
  - ▶ Connect the charger to an external power supply.
  - ▶ Monitor both devices during the charging process.
  - ▶ Remote control charging: LED lights up red.
  - ▶ Remote control fully charged: LED lights up green.
  - ▶ After charging is complete, disconnect all plugs and close the cover again.

## ASSEMBLY OF THE TiCad LIBERTY PRO

### DANGER

#### **Choking hazard due to packaging material.**

There is a risk of suffocation from plastic bags.

- ▶ Keep plastic bags away from children.
- ▶ **Do not** allow children to play with the packaging material (plastic bags). Do not put plastic bags over your head.

- 
- ▶ Remove all parts from the packaging.
  - ▶ Store packaging material.

## CAUTION

### **Risk of injury due to incorrectly mounted golf trolley and accessories.**

Incorrectly fitted golf trolleys and accessories can lead to injuries.

A falling golf bag can lead to impact injuries.

- ▶ Before a round of golf, check all plug and screw connections, wheels, axles and the golf bag for correct and tight fit.
- ▶ Always attach the golf bag to the upper and lower bag support with toe clips.

## CAUTION

### **Risk of crushing during assembly / disassembly and unfolding / folding of the golf trolley.**

There is a risk of hand injuries due to crushing when assembling / disassembling and unfolding / folding the golf trolley.

- ▶ Proceed with caution when assembling / disassembling and unfolding / folding the golf trolley.

## CAUTION

### **Risk of injury due to bag ties snapping off.**

Bag ties consist of rubber bands.

- ▶ Hold the bag tie firmly. Ensure correct attachment to the collar bushing.
- ▶ Hold bag tie firmly when loosening.

## Charge the battery on receipt

### NOTE

#### **Charge the battery.**

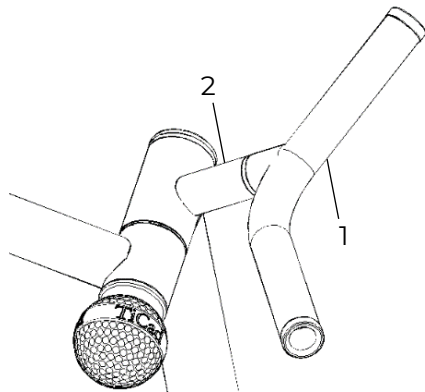
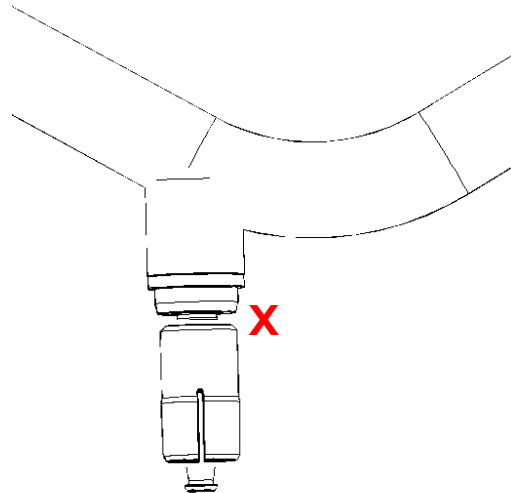
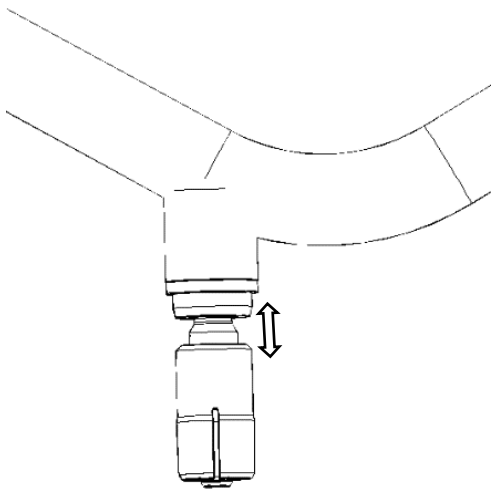
- ▶ Fully charge the battery before first use.
- ▶ Observe the usage and warning instructions for the battery in the chapter "BATTERY - TREATMENT, CARE, STORAGE, TRANSPORT".

## Unfold golf trolley

- ▶ Hold the down tube and move the center tube upwards.

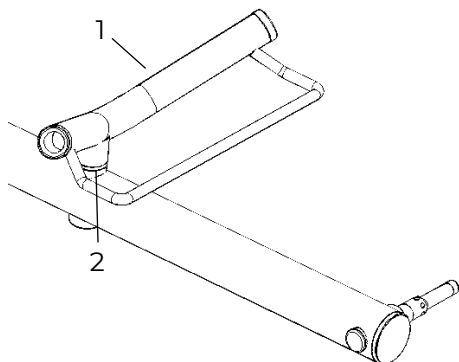
## Fitting pocket supports

- ▶ Check the correct position of the expansion dowel on the pocket supports.



- ▶ Insert the pocket support (1) into the frame (2) and turn clockwise (hand-tight).

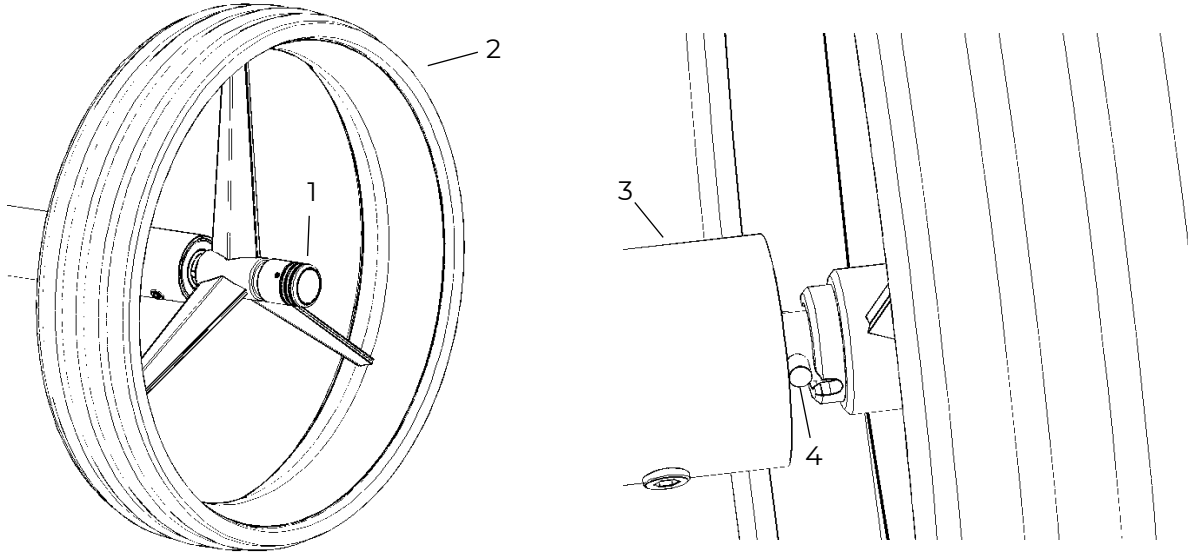
Disassembly in reverse order.



- ▶ Without the front wheel, insert the bag support (1) into the frame (2) and turn clockwise (hand-tight).

Disassembly in reverse order.

## Fitting / removing wheels



### Mounting drive wheels

- ▶ Remove and store the axle guard.
- ▶ Press the sliding sleeve (1), push the drive wheel (2) onto the axle (3), turn the wheel until the drive pin (4) engages.

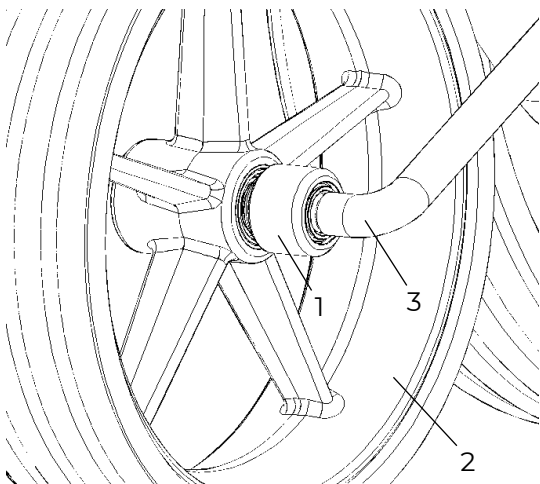
### Dismantling drive wheels

- ▶ Press the sliding sleeve, pull the drive wheel off the axle.
- ▶ To protect the drive shafts, fit axle guards on both axles.

### Using the freewheel function

When the battery is flat or when pushing over a longer distance without motor drive

- ▶ Press the sliding sleeve (1), pull the drive wheel (2), release the sleeve at a distance of approx. 5 mm from the drive pin (4), lock the drive wheel.



### Mounting front wheel

- ▶ Pull back the knurled sleeve (1), push the front wheel (2) onto the axle (3), engage, turning the knurled sleeve if necessary.

### Dismantling front wheel

- ▶ Pull the knurled sleeve back as far as it will go. Pull the front wheel off the axle.

## Securing the golf trolley against rolling away

- ▶ Place the golf trolley on a level surface for further assembly.

## Attach golf bag

Observe the assembly sequence!

- ▶ Attach golf bag.
- ▶ Adjust the height of the drawbar.
- ▶ Connect the battery.

### CAUTION

#### **Risk of injury due to instability of the golf trolley.**

When securing the golf bag, there is a risk of the golf trolley tipping over when the drawbar is folded up. This can lead to injuries.

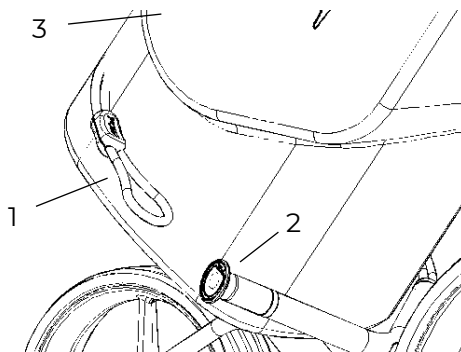
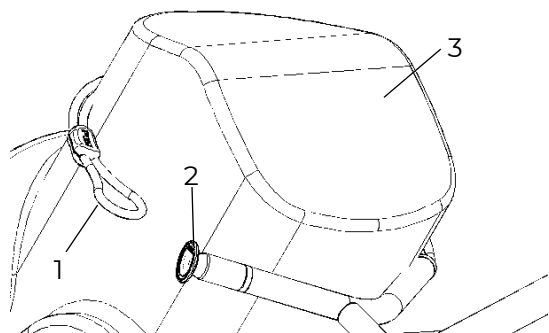
- ▶ Always fold the drawbar down before attaching the golf bag to the golf trolley.

### NOTE

#### **Risk of tipping due to instability of the golf trolley.**

When securing the golf bag, there is a risk of the golf trolley tipping over and being damaged when the drawbar is folded up.

- ▶ Attach golf bag.
- ▶ Fold up the drawbar.

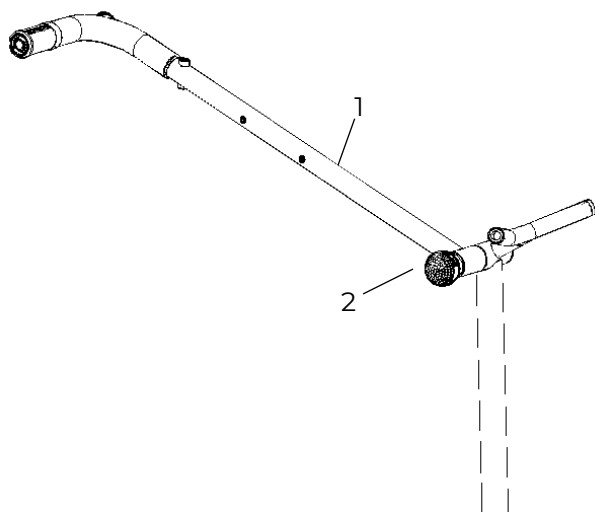


First attach the golf bag at the top, then at the bottom.

- ▶ Guide the bag tie (1) around the golf bag (3) and fasten it to the waistband bushing (2).

## Solve bag tie

- ▶ Carefully loosen the loop of the bag tie, hold the bag tie firmly.



## Adjusting the drawbar

- ▶ Turn the drawbar ball (2) three to four turns counterclockwise until the drawbar (1) can be moved without resistance.
- ▶ Position at the desired height.
- ▶ Tighten the drawbar ball clockwise. Move the drawbar slightly up and down so that the teeth of the lock engage optimally and are not damaged.

Tightness of the frame elements is only guaranteed when the drawbar ball is firmly tightened.

- ▶ Always retighten the drawbar adjustment after repositioning the drawbar (even when folded).

## DISASSEMBLY

### NOTE

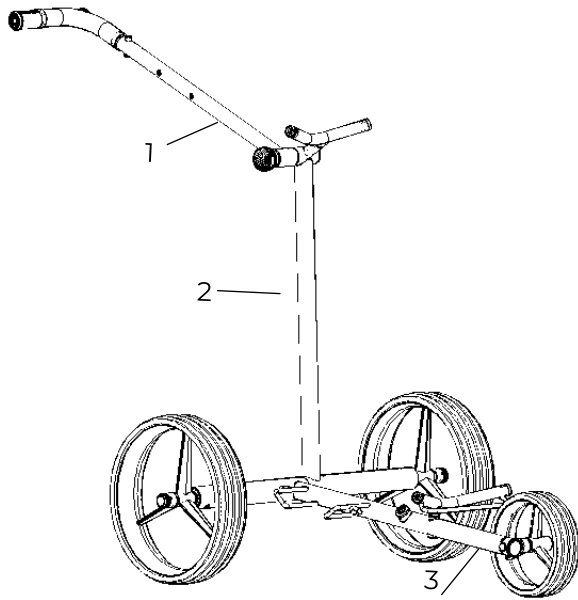
#### **Risk of tipping due to instability of the golf trolley.**

Make sure you disassemble the golf trolley in the correct order. This is important to prevent the golf trolley from tipping over.

- ▶ Secure the golf trolley against unintentional rolling away.
  - ▶ First remove any accessories that could interfere with disassembly.
  - ▶ Disconnect the battery plug from the golf trolley.
  - ▶ Fold down the drawbar and tighten.
  - ▶ Remove golf bag.
- 
- ▶ During further disassembly, remove the battery from its holder and put it down safely.
  - ▶ Carefully loosen the rechargeable battery bag tie.
  - ▶ Remove pocket supports if necessary.
  - ▶ Fold the frame.
  - ▶ Push the center tube down to the down tube as far as it will go.
  - ▶ Remove the wheels.
  - ▶ Fit the axle guard on both axles.
  - ▶ To transport the golf trolley and the battery in the transport bag, mount the battery in the battery basket and secure it with the battery ring.
  - ▶ **Do not** connect the battery.
  - ▶ Observe chapter "STORAGE AND TRANSPORT".

## FOLDING GOLF TROLLEY

The golf trolley can be folded without having to disassemble it completely.



- ▶ Disconnect the battery plug from the golf trolley.
- ▶ Turn the drawbar ball three to four turns counterclockwise until the drawbar (1) can be moved without resistance.
- ▶ Fold the drawbar down.
- ▶ Tighten the drawbar ball clockwise.
- ▶ Dismantle the pocket supports.
- ▶ Carefully push the center tube (2) down to the down tube (3) as far as it will go.

Tightness of the frame elements is only guaranteed when the drawbar ball is firmly tightened.

## ASSEMBLY / DISASSEMBLY OF ACCESSORIES

- ▶ Observe the documents enclosed with the accessories.
- ▶ Do not connect the battery when fitting accessories to prevent unexpected reactions of the golf trolley.

### Fastening nuts for accessories

- ▶ Remove the threaded pins (grub screws) that have been screwed in.
- ▶ To protect against soiling, screw in grub screws or accessory screws when not in use.

### Fitting the umbrella holder

- ▶ Screw the threaded shade holder into the adapter.

## OPERATION

Always observe the following precautions and instructions to avoid injury and damage to property.

### DANGER

#### **Lightning strike during a thunderstorm.**

When playing golf during a thunderstorm, there is a risk of being struck by lightning.

- ▶ Do not play golf during a thunderstorm.
- ▶ If there is a thunderstorm during the game, get to safety and seek shelter in the shelters provided.
- ▶ Before the game, provide information about shelters that can be used during thunderstorms.

### CAUTION

#### **Risk of injury due to improper use.**

The golf trolley is only intended for transporting golf bags and their contents. The golf trolley is not designed for transporting other products or people and animals.

- ▶ Do not use the golf trolley as a medical walking aid.
- ▶ Pulling the golf trolley by hand from a motorized golf cart is not permitted.
- ▶ Do not allow children to play with the golf trolley.
- ▶ Maximum load 18 kg.

Liability expires in the event of improper use.

### CAUTION



#### **Risk of tripping and falling due to careless movements.**

If you walk off carelessly, there is a risk of tripping over the golf trolley and its wheels.

- ▶ Keep an eye on the golf trolley and pay attention to its location.

## CAUTION



### **Risk of falling and slipping in wet weather.**

There is a risk of slipping and falling when the floor is wet.

- ▶ Do not play golf in wet weather.
- ▶ Wear suitable footwear.

## CAUTION

### **Risk of injury due to golf trolley rolling away.**

Golf trolleys can roll away on sloping terrain and injure people and animals.

- ▶ Park the golf trolley on sloping terrain at right angles to the slope.

#### Golf trolley in battery mode

- ▶ Activate the electromagnetic parking brake when the golf trolley is parked.

#### Using the golf trolley without or with an empty battery

If the golf trolley is used without a battery or if the battery fails, the electromagnetic parking brake will not function.

- ▶ **Do not** park the golf trolley on the slope in the direction of travel.

## CAUTION

### **Risk of injury from rotating parts.**

- ▶ Do not reach into the wheels of the golf trolley while driving.

## NOTE

### **Driving on uneven terrain.**

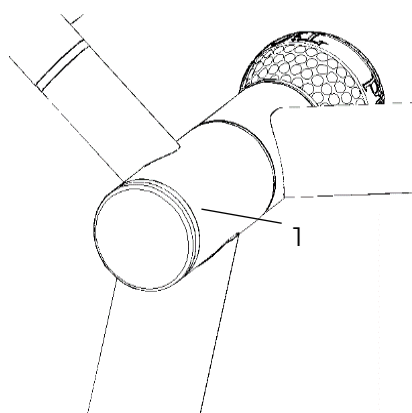
To avoid damaging the golf trolley, move your golf trolley slowly and carefully on terrain with large stones or potholes.

- ▶ Avoid kerbs.
- ▶ It is better to guide the golf trolley by hand.

## Operating in manual mode

### LED illuminated ring

The LED light ring (1) is active as soon as the battery is plugged into the golf trolley.



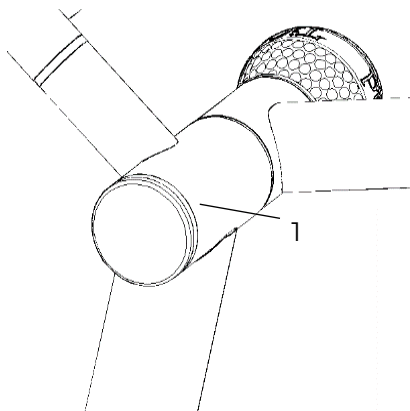
<b>Color LED illuminated ring</b>	<b>Meaning</b>
green - slowly pulsating	<b>Freewheel</b> Golf trolley idling, battery plugged in, brake open, motor off
green - luminous	<b>Driving mode</b> Golf trolley in operation (moving), engine switched on
orange - slowly pulsating	<b>Electromagnetic parking brake</b> Golf trolley parked, brake switched on
blue - luminous	<b>Pre-run 1</b> Automatic advance function approx. 10 m
blue - fast flashing	<b>Pre-run 2</b> Automatic advance function approx. 20 m
white - flashing	<b>Remote control operation</b> The golf trolley is controlled via the remote control.
pink - flashing	<b>Smart Balance Control</b> Golf trolley on a critical slope
red - fast flashing	<b>Overload / error</b> Error message overload
red - fast flashing (1-5 times)	<b>Low battery level</b> Occurs when switching from the parking brake to the electronic freewheel.

## Starting the golf trolley and regulating the speed

### CAUTION

#### **Risk of injury due to uncontrolled speed of the golf trolley.**

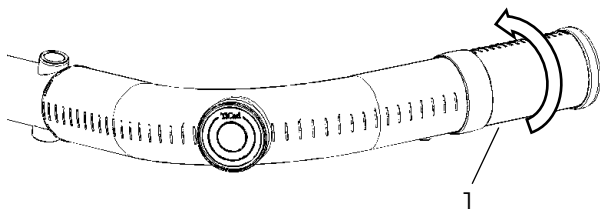
- ▶ Set the speed so that intervention is possible at any time.
- ▶ Only use the golf trolley when it is loaded.
- ▶ Set the speed so that you can still walk alongside and, if necessary, intervene and stop the golf trolley.



#### **Starting the golf trolley**

- ▶ Connect the battery plug.

The electronics perform a self-test, and the LED ring (1) displays different colors. The golf trolley switches to drive mode and initially engages the parking brake.

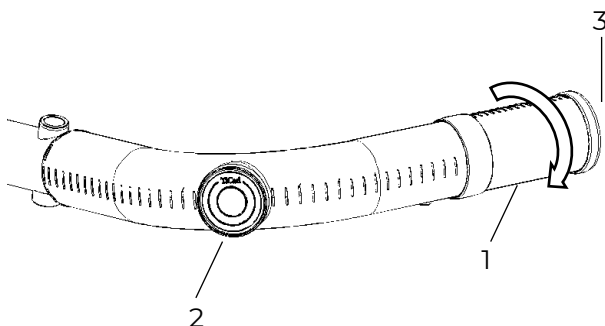


#### **Start & Faster**

- ▶ Turn the rotary handle (1) slightly forwards in the direction of the arrow.

Golf trolley starts to move.

- ▶ Turning the twist grip further forward increases the speed.



#### **Slow down & stop**

- ▶ Turning backwards in the direction of the arrow reduces the speed.

- ▶ Stop the golf trolley by turning the rotary handle backwards as far as it will go in the direction of the arrow.

or

- ▶ Stop the golf trolley by pressing the single push-button (2).

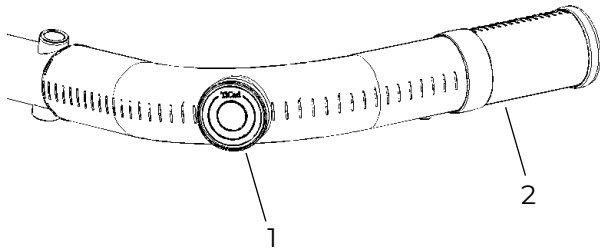
or

- ▶ Stop the golf trolley by pressing the brake button (3).

Electromagnetic parking brake is automatically activated when the vehicle is stationary.

## Using the memory function

The driving speed of the memory function depends on the position of the rotary handle.



- ▶ Start, interrupt and continue the memory function by pressing the individual button (1).
- ▶ Set the desired speed using the rotary handle (2).

The electromagnetic parking brake is activated when the vehicle is stationary.

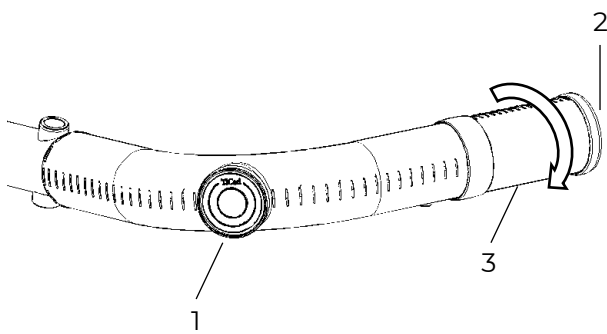
## Using the electromagnetic parking brake

### NOTE

#### Use the electromagnetic parking brake.

The golf trolley can roll away and tip over on sloping terrain and be damaged as a result.

- ▶ Activate the electromagnetic parking brake when the golf trolley is parked.
- ▶ Park the golf trolley on sloping terrain at right angles to the slope.



The electromagnetic parking brake acts on the right-hand drive wheel and can be activated in three ways:

- ▶ Press the single button (1).
- or
- ▶ Press the brake button (2).
- or
- ▶ Turn the rotary handle (3) in the direction of the arrow back to the stop (= zero position).

## **Smart Balance Control**

Thanks to its adjustment to the slope of the terrain, the golf trolley maintains the selected driving direction even on uneven ground. The drive power is regulated so that the trolley continues straight uphill.

The LED ring flashes pink when the golf trolley reaches a critical tilt angle. If the trolley tips over during operation, the motors are automatically stopped. Press the brake button to release the lock.

## **Single button when moving and stationary**

Pressing the single button brakes the golf trolley to a standstill. The electromagnetic parking brake is activated.

Pressing the single button again deactivates the electromagnetic parking brake. The golf trolley accelerates to the speed set on the twist grip

## **Brake button during driving and at standstill**

Pressing the brake button slows the golf trolley to a complete stop. The electromagnetic parking brake is engaged.

Pressing the brake button again deactivates the electromagnetic parking brake. The golf trolley is then in electronic freewheel mode.

Pressing the brake button once more reactivates the electromagnetic parking brake.

## **Rotary handle**

The rotary handle is used to preset the desired speed.

Turning the handle back to the zero position brakes the golf trolley to a complete stop. The electromagnetic parking brake is engaged.

Turning the handle forward from the zero position releases the brake and resumes driving. The golf trolley accelerates to the speed set on the rotary handle.

Driving via the rotary handle is only possible from the zero position.

## **Battery level indicator – low charge**

At a low battery level of approximately 30%, the LED ring signals red when switching from the parking brake to electronic freewheel. The LED ring flashes red 1–5 times depending on the battery level. Multiple flashes indicate a lower battery charge. If the LED ring flashes five times in red, the battery level is very low, and the battery management system will cut off power if the trolley continues to be used.

- ▶ Check the battery charge before each use using the included Battery Checker.

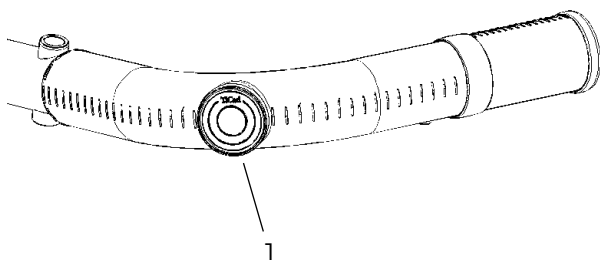
## Use advance function

The forward drive function can be activated both from a standstill and while the trolley is moving.

### CAUTION

**Risk of injury to people and animals due to uncontrolled speed of the golf trolley.**

- ▶ Only use the golf trolley when it is loaded.
- ▶ Set the speed so that you can still walk alongside and, if necessary, intervene and stop the golf trolley.



#### **Activate 10 m lead time**

- ▶ Press and hold the individual button (1) until the LED illuminated ring lights up blue, then release.

The golf trolley travels approx. 10 m and stops.

#### **Activate 20 m lead time**

- ▶ Press and hold the individual button (1) until the LED illuminated ring flashes blue, then release.

The golf trolley travels approx. 20 m and stops.

#### **Cancel advance function / regulate speed**

- ▶ The advance function can be canceled during driving as described in the chapter "Starting the golf trolley and regulating the speed."
- ▶ Adjust the speed during the forward travel using the rotary handle.

## Using the freewheel function

To be used when the battery is flat or when pushing over a longer distance without motor drive. For details, see "Fitting / removing wheels" above.

## Operation in remote control mode

Be sure to observe the following safety precautions and instructions to avoid personal injury and property damage.

### NOTE

#### **Driving on uneven terrain.**

To avoid damage to the golf trolley, move it slowly and carefully over rough stones or potholes.

- ▶ Avoid curbs.
- ▶ It is better to push the golf trolley by hand rather than control it with the remote.

### NOTE

#### **Driving with the remote control.**

The driving behavior with the remote control depends, among other things, on the trolley's load, the ground conditions, and the terrain. Steering sensitivity may vary accordingly.

When driving with the remote control, the trolley is more likely to tip over than when pushed by hand, as unconscious support is absent.

When driving uphill, the overall center of gravity can easily move outside the stable range. The trolley may tip over, potentially causing damage to the drawbar and electronics.

The automatic stop function at the edge of the remote range is only active if the trolley was last controlled via the remote.

- ▶ Familiarize yourself with the remote control and the trolley's driving behavior on an obstacle-free area before the first game.
- ▶ On uneven terrain, it is better to push the golf trolley by hand rather than control it with the remote.

### NOTE

#### **Using the remote control.**

The remote control is not waterproof.

Dust and dirt can enter the USB-C charging port.

Both can cause malfunctions and damage.

- ▶ Avoid using the remote in rain or splashing water.
- ▶ Always ensure that the remote control's cover is in place during use.

 **CAUTION**

**Risk of injury from uncontrolled speed of the golf trolley.**

When using the trolley, ensure that the speed is set so that intervention is possible at any time.

- ▶ Set the speed so you can still walk alongside the trolley and intervene to stop it if necessary.
  - ▶ Only use the golf trolley when it is loaded.
  - ▶ When using the golf trolley with the remote control, make sure it is steered in a way that avoids contact with people and animals.
- 

 **CAUTION**

**Risk of injury from uncontrolled control inputs.**

If the remote control is placed in different storage locations, the buttons may be unintentionally pressed by other objects.

- ▶ When using the remote control, ensure that the buttons are not pressed unintentionally.
- 

 **CAUTION**

**Risk of injury from accelerating golf trolley**

Steering inputs can cause the wheels to accelerate significantly.

- ▶ Before operating the trolley with the remote control, familiarize yourself with its driving and steering behavior on an obstacle-free area.
- 

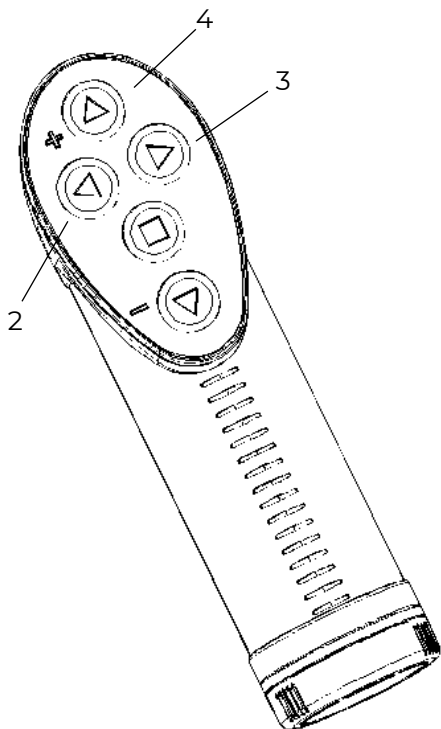
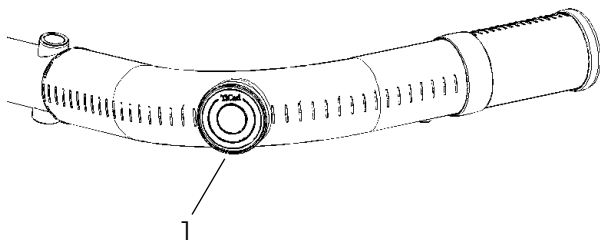
 **CAUTION**

**Risk of injury from reversing.**

When driving backward, the control inputs on the remote control are reversed.

- ▶ Before operating the trolley with the remote control, familiarize yourself with the control concept for reversing.
-

## Connecting the remote control



### Pairing the remote control

- ▶ Connect the battery plug.
- ▶ Within 2 seconds, press and hold the drive button (1) for approximately 10 seconds.

The LED ring will blink light blue during this time.

- ▶ Release the drive button as soon as the LED ring starts to glow steadily.
- ▶ Press and hold the drive button again for about 5 seconds.

The LED ring will blink light blue during this time.

- ▶ Release the drive button once the LED ring begins to glow steadily.

The LED ring now lights up dark blue.

- ▶ Within 10 seconds, press and hold the “Left” (2) and “Right” (3) buttons on the remote simultaneously for about 3 seconds.

The LED ring confirms pairing with three green flashes.

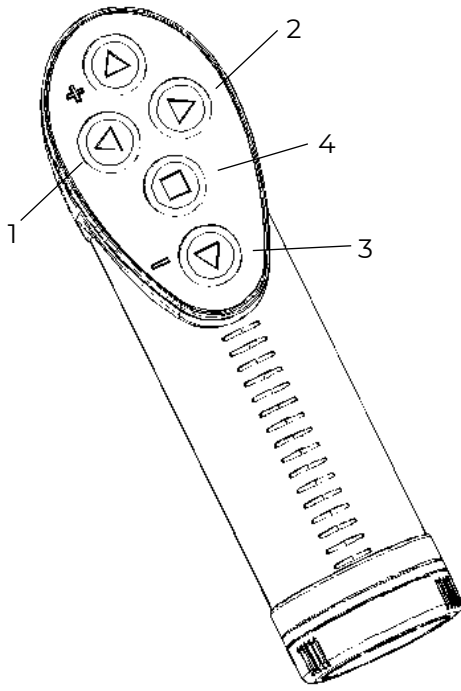
After this, the golf trolley switches to normal operation.

Pairing the remote control with the golf trolley only needs to be done once.

### Start & Increase Speed

- ▶ Press the forward button (4) repeatedly to build up speed.

Holding the forward button (4) accelerates this process.



## Navigation & Changing Direction

- ▶ Press the left (1) or right (2) button repeatedly to steer in the desired direction.

Holding either button accelerates this process.

Direction changes can also be made from a standstill. In this case, the golf trolley stops when the button is released.

## Slowing Down, Stop & Reverse

- ▶ While driving, press the reverse button (3) repeatedly to reduce speed.

Holding the reverse button accelerates this process.

- ▶ While driving, press the stop button (4) to stop the golf trolley and engage the electromagnetic parking brake.
- ▶ From a standstill, press the reverse button repeatedly to move the golf trolley backward.

Holding the reverse button accelerates this process.

The golf trolley can only move backward if the reverse button is pressed while the electromagnetic parking brake is active.

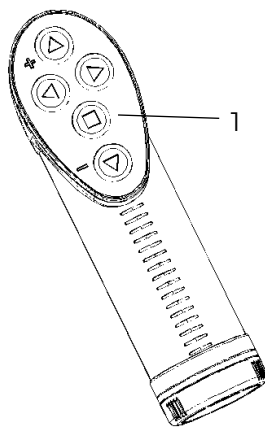
## Using the electromagnetic parking brake

### NOTE

#### Use the electromagnetic parking brake

The golf trolley can roll away and tip over on sloping terrain and be damaged as a result.

- ▶ Activate the electromagnetic parking brake when the golf trolley is parked.
- ▶ Park the golf trolley on sloping terrain at right angles to the slope.



The electromagnetic parking brake acts on the right drive wheel.

- ▶ Press the stop button (1).

The electromagnetic parking brake is engaged.

#### Smart Balance Control

Thanks to its adjustment to the terrain slope, the golf trolley maintains the selected driving direction even on uneven ground. The drive power is regulated so that the trolley continues straight uphill.

The LED ring flashes pink when the golf trolley reaches a critical tilt angle. If the trolley tips over during operation, the motors are automatically stopped. Press the brake button to release the lock.

#### LED Display on the Remote Control

The remote control has its own LED ring, which always indicates the status of the golf trolley (see chapter LED Ring).

To check the remote control's battery level, press and hold the stop button for approximately 3–5 seconds. The LED initially flashes red. Then the LED shows the current battery level with a steady color display. A green LED indicates the remote control is sufficiently charged. A red LED indicates the remote control should be recharged soon.

#### Switching Operating Modes

A drive started via the remote control can be stopped at any time by pressing the buttons or turning the rotary handle on the golf trolley.

Similarly, a trolley started manually can be taken over at any time using the remote control.

## CLEANING, CARE AND MAINTENANCE

The frame is sealed against rain. The remote control is exempt from this.

Do not use a high-pressure cleaner for cleaning.

### NOTE

**Dirt and deposits on the wheels, in the wheel hubs, in the joints and in the joints of the frame can cause the golf trolley to jam and become stiff.**

**Water in the frame parts can lead to jamming and stiffness.**

**Dirt and water in the frame parts can cause damage to the electronics.**

- ▶ Ensure that no dirt enters the wheel hub.
- ▶ Clean the golf trolley after each use.

Never clean the golf trolley with a high-pressure cleaner.

**Do not** immerse the golf trolley in water.

**Do not** oil or grease wheel hubs and connections.

### NOTE

**Incorrect cleaning agents can cause damage or color changes to the product.**

Do not use any aggressive or alcohol-based cleaning agents or abrasive cleaners.

Do not use brushes.

- ▶ Clean the golf trolley with water and a mild detergent (washing-up liquid).

The remote control is maintenance-free. Do not attempt to open or modify it.

Repairs and adjustments to your TiCad accessories may only be carried out by TiCad or TiCad authorized partners.

A value-preserving maintenance is recommended after 2 years at the latest, or earlier depending on usage intensity. For this, contact your specialist dealer or the TiCad service.

## TROUBLESHOOTING

Malfunction	Cause	Measure
LED illuminated ring flashes red.	Drives or electronics were briefly overloaded. Golf trolley has come to a sudden stop at an obstacle (e.g. pothole or kerb).	<ul style="list-style-type: none"> <li>▶ Press the drive button to restart the golf trolley.</li> <li>▶ If the golf trolley does not start, unplug the battery, wait 10 seconds and plug it back in.</li> <li>▶ If the LED light ring continues to flash red, contact TiCad Service.</li> </ul>
<b>Water damage to battery and / or golf trolley.</b> <b>Drop damage battery.</b>	Battery and / or golf trolley immersed in water. Battery dropped.	<ul style="list-style-type: none"> <li>▶ <b>Fire hazard!</b></li> <li>▶ Immediately observe the procedure in the chapter "BATTERY - TREATMENT, CARE, STORAGE, TRANSPORT", section "Battery use and application"</li> </ul>
LED on the battery charger indicates an error or the charger reacts differently than usual.	Charger has detected an error or unusual operating status.	<ul style="list-style-type: none"> <li>▶ Observe the charger operating instructions.</li> <li>▶ Disconnect the charger from the mains and the battery and wait one minute.</li> <li>▶ Reconnect the battery to the charger and then connect the charger to the mains.</li> <li>▶ Contact TiCad Service.</li> </ul>

If there is a problem with your golf trolley or accessories that you cannot resolve yourself, please contact your specialist dealer or TiCad Service.

## DISPOSAL



### Packaging

The product is packaged to protect it from damage during transportation. Please keep the packaging material or dispose of it in an environmentally friendly manner and recycle it properly.

Dispose of in accordance with local legal regulations.

Information on disposal can be obtained from your city or local authority or your waste disposal service provider.

### Product

This device is labeled in accordance with the European Directive 2012/19/EU on waste electrical and electronic equipment (WEEE).

The directive provides the framework for the EU-wide take-back and recycling of old appliances.

WEEE reg. no.: DE 111921978.

At the end of its service life, dispose of the product in an environmentally friendly manner and recycle it properly.

Dispose of the product in accordance with local legal regulations.

Information on disposal can be obtained from your city or local authority or your waste disposal service provider.

Lithium-ion batteries do not belong in household waste. Have used batteries disposed of by a certified waste disposal company.

TiCad will be happy to take care of the professional recycling of your golf trolley, battery and charger. Please contact TiCad Service.



## TECHNICAL DATA

<b>Model</b>		<b>TiCad LIBERTY PRO</b>
Trolley type		Electric trolley
Handling		Folding principle
Handle		Leather handle, L-shape
Weight frame + wheels		5,95 kg / 13.1 lbs
Battery weight	Standard battery	1,2 kg / 2.7 lbs
	Sports battery	1,6 kg / 3.5 lbs
Transport bag weight		1,9 kg / 4.1 lbs
Pack size	L x W x H / L x W x H	66 x 67 x 14 cm / 26 x 26.4 x 5.5 inches
Frame size	L x W x H / L x W x H	66 x 67 x 7 cm / 26 x 26.4 x 2.8 inches
Transport bag	L x W x H / L x W x H	78 x 69 x 15 cm / 30.7 x 27.2 x 5.9 inches
Caddy garage	L x W x H / L x W x H	84 x 71,5 x 86 cm / 33.1 x 28.1 x 33.7 inches
Maximum payload		18 kg / 40 lbs
Reach	Standard battery	36 holes
	Sports battery	45 holes
Electrical data	Nominal battery voltage	25,2 V
	Standard battery power	212 Wh
	Sports battery power	300 Wh
	Motor power	2 x 90 W
Airborne sound emission		Emission sound pressure level less than 70 dB (A)
Dimension shipping carton	L x W x H / L x W x H	75 x 72 x 16 cm / 29.5 x 28.3 x 6.3 inches
Remote control	Charging port	USB-C
	Operating frequency	2,4 GHz
	Battery	Lithium polymer

This product was manufactured in Germany.

Technical data may vary with individual configuration or model changes.

## STATUTORY WARRANTY AND MANUFACTURER'S GUARANTEE

Your TiCad products have been carefully designed and manufactured. Should you notice any irregularities, please contact your specialist dealer or TiCad Service directly.

Statutory warranty in accordance with the legal regulations of the country in which the product was purchased from TiCad or the authorized specialist retailer.

Products purchased online were purchased in Germany.

The statutory warranty does not apply to damage caused by

- Carelessness
- improper handling
- Overloading the golf trolley
- inappropriate operation
- external violence
- Immersion in water

The statutory warranty only applies if the instructions in this operating manual are followed.

Normal, customary signs of wear and tear on the golf trolley and accessories are not covered by the statutory warranty and the manufacturer's warranty, provided there is no material defect. This also includes signs of wear on the surface of the golf trolley (abrasion and scratches on the titanium surface).

Wear parts such as tires, leather grips and toe rings are excluded from the statutory warranty. Their service life depends on the respective riding style and intensity of use. You can only assert guarantee and warranty claims in the event of production faults or verifiable defects.

## Manufacturer's warranty from date of purchase:

5 years on titanium frames, wheels, drives

2 years on electronic components, batteries, chargers

Parts subject to wear and tear (e.g. toe rings, tires, leather handle) are excluded from the manufacturer's warranty.

No extension of the warranty period due to replacement deliveries or repairs for warranty reasons. Excluded are damages caused by

- Carelessness
- Rough use
- Overload
- improper operation
- external force
- Diving under water
- Interference by unauthorized persons

Prerequisite for warranty service:

- Follow the instructions in the operating instructions
- Intended use
- Regular product maintenance

Operation with non-original TiCad components will invalidate the manufacturer's warranty and liability.

Repairs and adjustments to your golf trolley or TiCad accessories may only be carried out by TiCad or partners authorized by TiCad. Unauthorized tampering voids the warranty / guarantee.

Technical changes and further developments do not give rise to any claim for retrofitting.

## SERVICE

Should a problem occur with your TiCad golf trolley or accessories, please always contact your specialist dealer or TiCad Service in Altenstadt, Germany, directly before initiating a shipment. This applies in particular to devices that are located outside Germany.

We will be happy to assist you with the return shipment and, if necessary, with packaging material.

If possible, please have the devices themselves, the serial numbers of the devices and the date of purchase ready when making service inquiries. Serial numbers can be found on the devices themselves, on the type plates or, if applicable, on the proof of purchase.

<b>Address:</b>	TiCad GmbH & Co. KG Heegwaldstr. 3-5 63674 Altenstadt Germany
<b>Phone:</b>	+49 (0)6047 / 987 90-14
<b>Fax:</b>	+49 (0)6047 / 987 90-39
<b>E-mail:</b>	service@ticad.de

## IMPRINT

### PUBLISHER

TiCad GmbH & Co. KG

Heegwaldstraße 3-5

63674 Altenstadt

Germany

[www.ticad.de](http://www.ticad.de)

Data, wording and images have been partially standardized and primarily describe the systematic function.

Deviations from the delivered product may occur for this reason or due to ongoing model optimization.

The original language of these operating instructions is German. Other languages are translations of the original German operating instructions. In the event of deviations from the original operating instructions, the German version is binding.

These operating instructions may not be copied or used in any other way without the consent of TiCad GmbH & Co. KG - this applies to both the entire document and extracts from it. Keep your operating instructions in a safe place.

Further documents, information and operating instructions (also in other languages) can be found on the TiCad website. For printed copies, please contact your specialist dealer or TiCad Service.

Certification documents, such as declarations of conformity, can be found as attached documents or on the TiCad website.

Please note our General Terms and Conditions at [www.ticad.de](http://www.ticad.de).

© 2026, TiCad GmbH & Co. KG

TiCad®